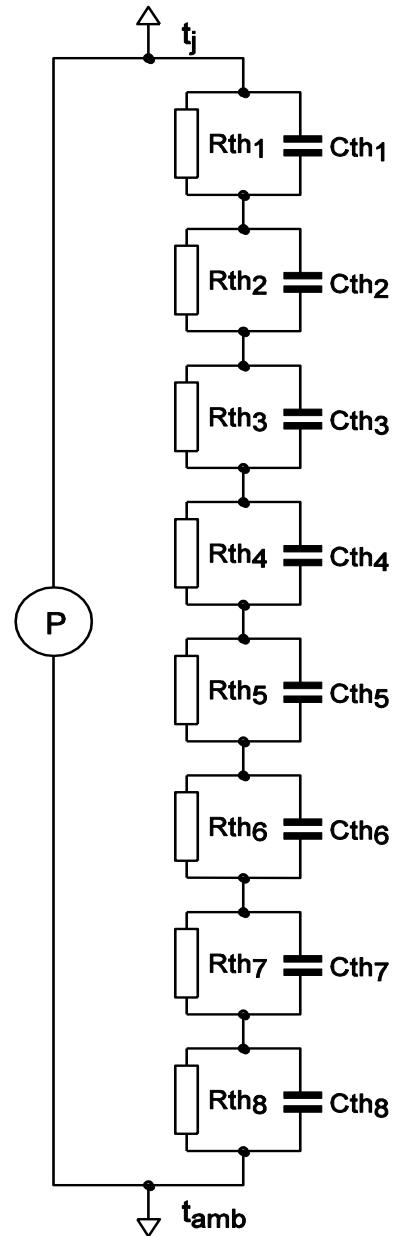


SPICE thermal model

PSMN1R5-30BLE

Symbol	Parameter	Conditions	Min	Typ	Max	Unit
$R_{th(j-mb)}$	thermal resistance from junction to mounting base		-	-	0.37	K/W

C_{th1}	3.273E-04 F
C_{th2}	2.356E-03 F
C_{th3}	1.771E-03 F
C_{th4}	6.508E-03 F
C_{th5}	2.376E-02 F
C_{th6}	3.877E-02 F
C_{th7}	6.172E-01 F
C_{th8}	2.254E+02 F
R_{th1}	2.726E-04 Ω
R_{th2}	5.359E-04 Ω
R_{th3}	6.215E-03 Ω
R_{th4}	1.510E-02 Ω
R_{th5}	4.941E-02 Ω
R_{th6}	2.224E-01 Ω
R_{th7}	7.889E-02 Ω
R_{th8}	9.506E-04 Ω



001aal768

Part: PSMN1R5-30BLE
 Date: 29/4/2014
 Model Rth 0.37 K/W